

Palm Pen Holder

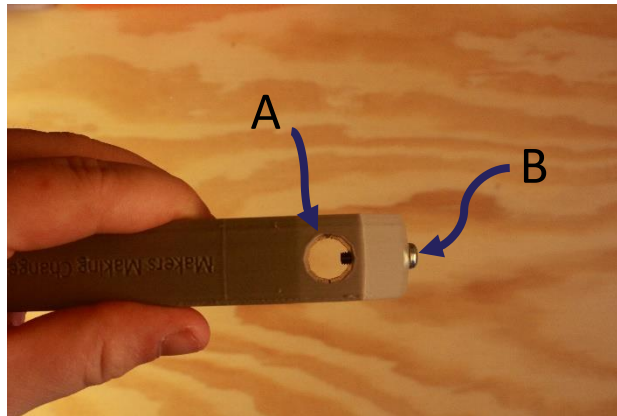
USER QUICK GUIDE

Introduction

The Palm Pen Holder device creates an alternate grip for users who struggle to use writing utensils that require a tight pinch grip. The Palm Pen Holder device comes in three predetermined sizes of large, medium, and small with each size also having a pen hole size of narrow, standard, and wide. This allows users with different hand sizes/shapes as well as including different pen sizes allows for a variety of use cases. Custom sizing can also be done by requesting the maker to use the OpenSCAD file on the project page to adjust the dimensions. If you want specific sizing information of the Palm Pen Holder, a sizing guide can be found at the bottom of this document.

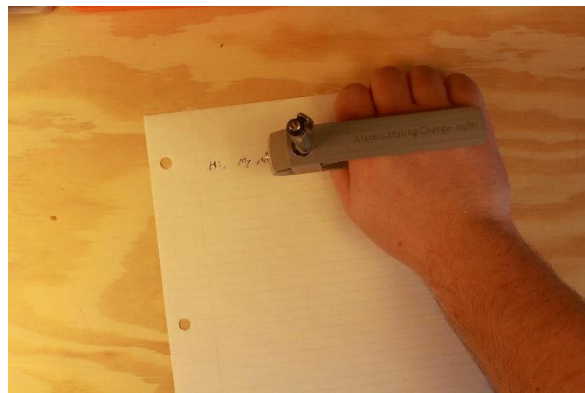
Features

The Palm Pen Holder is a single 3D printed piece with a hole (pen hole) for the writing utensil [A] and a set screw for adjustment [B]. A writing utensil, paintbrush, or any writing utensil can be put through the pen hole and fixed using the set screws at the user's desired height.



Usage

The Palm Pen Holder requires a writing utensil to be inserted into the pen hole. The writing utensil can then be fixed in the desired position by tightening the set screws. The Palm Pen Holder is then ready to use and can be gripped in any way the user feels comfortable.



Palm Pen Holder

USER QUICK GUIDE

Compatibility

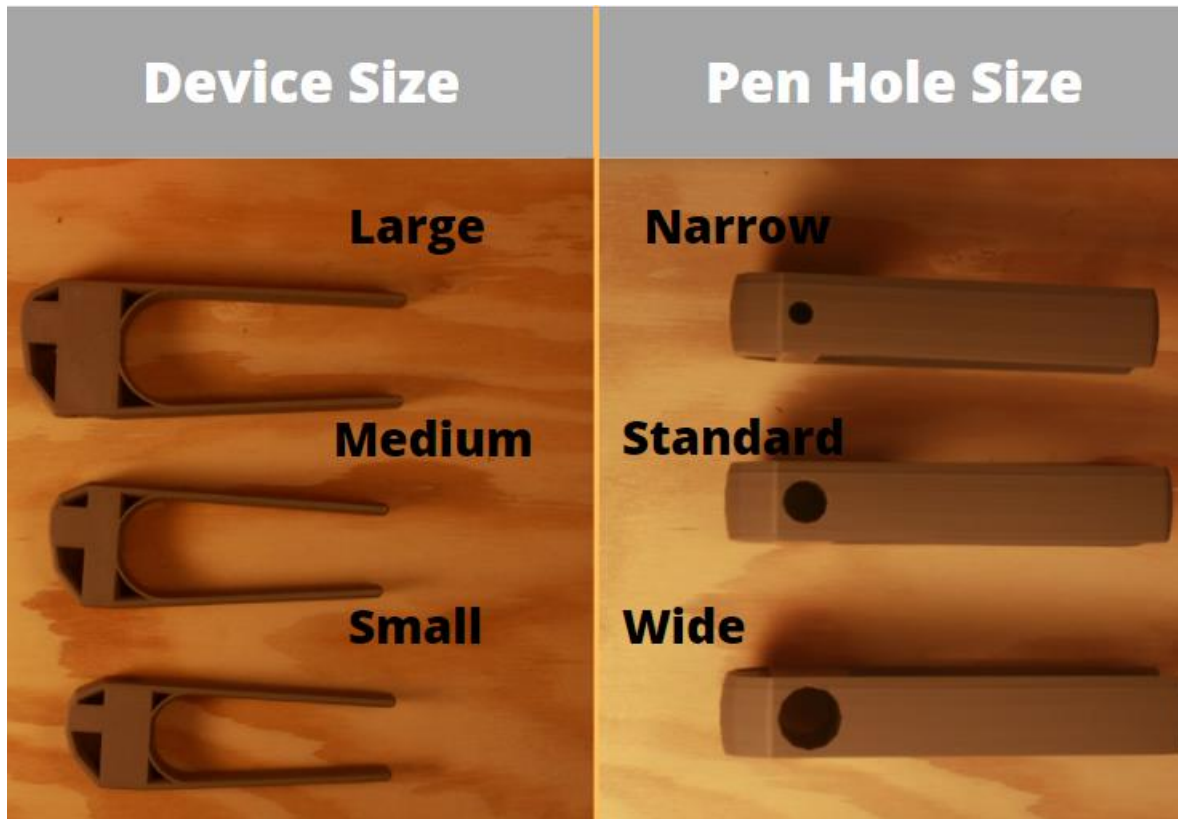
Set screw allow many sizes of writing utensils to be placed into the pen hole. In addition, if you find that the set screw is not able to secure the writing utensil or it is not able to fit inside the pen hole the varying sizes of pen hole (small, medium, or large) can be 3D printed/requested to allow for these cases.

Cleaning

The device can be sprayed or wiped down with sanitizing cleaners. **Do not** wash the Pen Ball in high heat as it can cause it to melt or break. (i.e. **do not use** Dishwashers, soaking in hot water, washing machines)

Specifications

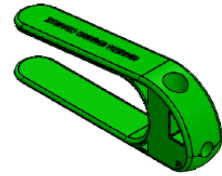
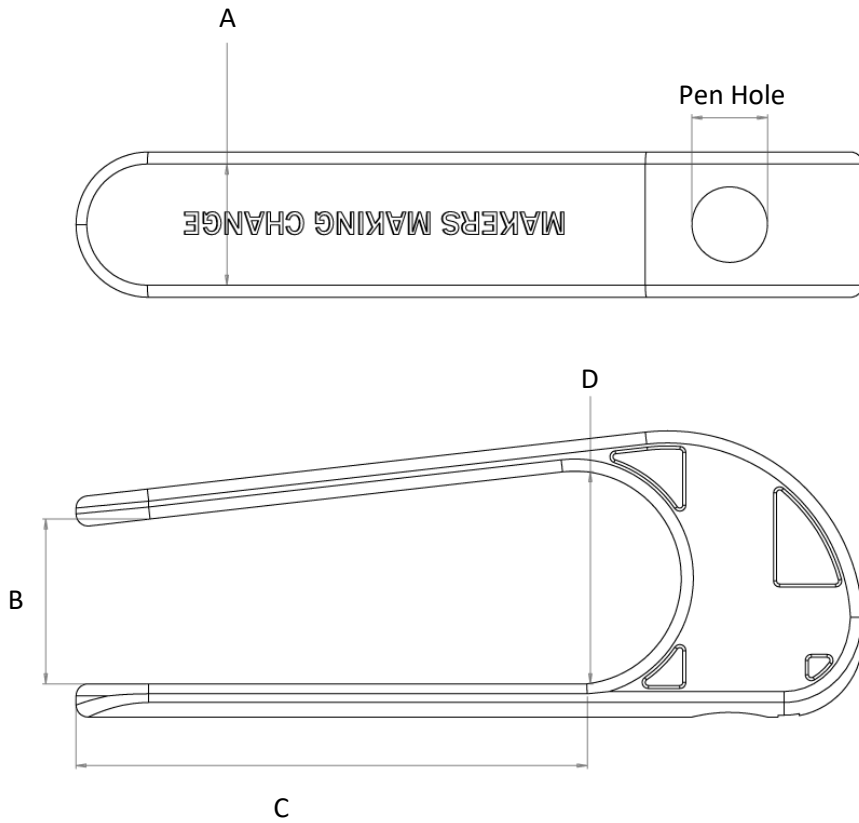
The sizing guide for the Palm Pen Holder can be seen on the next page:



Palm Pen Holder

USER QUICK GUIDE

Pen Ball Sizing:



Palm Pen Holder

USER QUICK GUIDE

Palm Pen Holder version	Pen hole size	A (mm)	B (mm)	C (mm)	D (mm)	Pen Hole (mm)
Small Pam Pen Holder	Narrow	23	21	93	25	7
	Standard	23	21	93	25	13
	Wide	23	21	93	25	18
Medium Palm Pen Holder	Narrow	24	26	110	35	7
	Standard	24	26	110	35	13
	Wide	24	26	110	35	18
Large Palm Pen Holder	Narrow	25	33	120	40	7
	Standard	25	33	120	40	13
	Wide	25	33	120	40	18